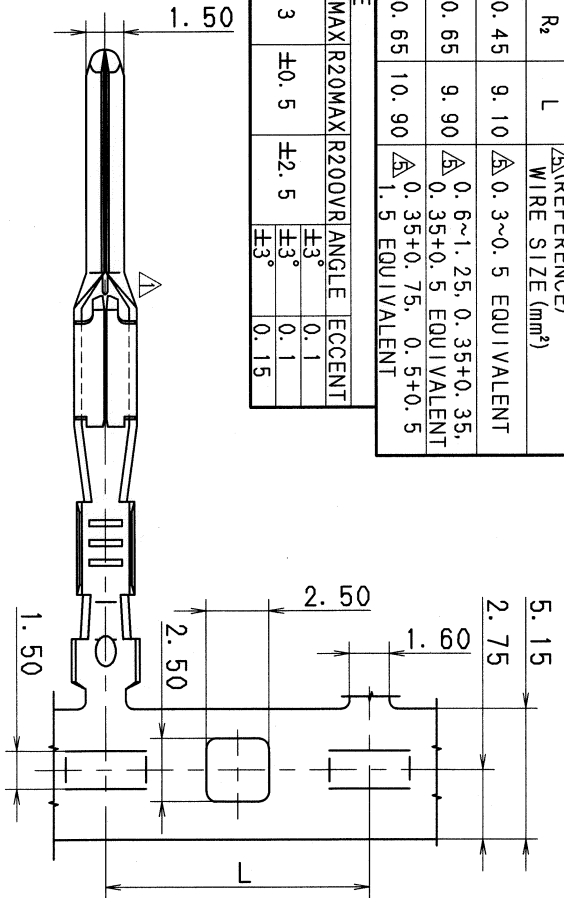


PART NO. AND CH. CODE	W <sub>1</sub>	W <sub>2</sub>	H <sub>1</sub>	H <sub>2</sub>	R <sub>1</sub>	R <sub>2</sub>	L	△(REFERENCE) WIRE SIZE (mm <sup>2</sup> )
7114-4100-02	2.50	2.80	(2.40)	(3.50)	0.45	0.45	9.10	△0.3~0.5 EQUIVALENT
7114-4101-02	3.30	3.40	(3.25)	(4.10)	0.65	0.65	9.90	△0.6~1.25, 0.35+0.35, 0.35+0.5 EQUIVALENT
7114-4104-02	△3.40	3.70	(3.25)	(4.60)	0.65	0.65	10.90	△0.35+0.75, 0.5+0.5, 1.5 EQUIVALENT

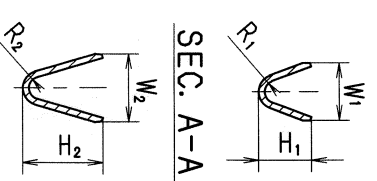
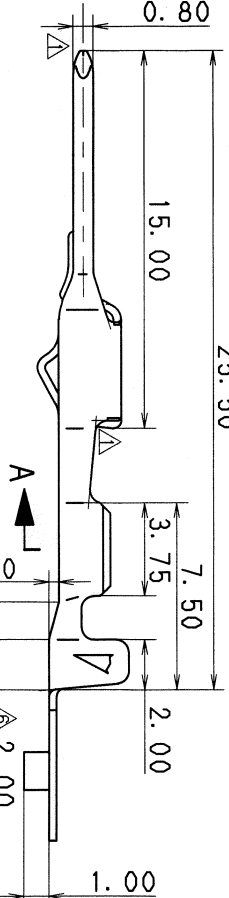
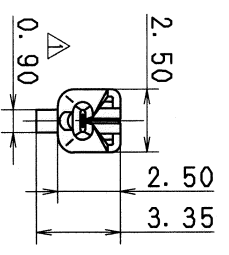
△GENERAL TOLERANCE											
	10MAX	50MAX	100MAX	250MAX	500V/R	R5MAX	R10MAX	R20MAX	R200V/R	ANGLE	ECCENT
A	±0.15	±0.2	±0.3	±0.5	±0.75	±0.2	±0.3	±0.5	±2.5	±3°	±0.1
B	±0.2	±0.3	±0.55	±0.95	±1.4	±0.2	±0.3	±0.5	±2.5	±3°	±0.1
C	±0.3	±0.5	±0.8	±1.4	±2	±0.2	±0.3	±0.5	±2.5	±3°	±0.15



APPLICABLE WIRE SIZE MARK
(7114-4100-02)
(7114-4101-02)
(7114-4104-02)

注記  
1. 嵌合端子番号: 7116-4100-02 ETC.  
△2. 7114-4104-02においての通電電流値は、1.0 mm<sup>2</sup>相当以下とする。

NOTES  
1. MATING TERMINAL NO.: 7116-4100-02 ETC.  
△2. CURRENT FOR 7114-4104-02 SHALL BE THE CURRENT FOR 1.0 mm<sup>2</sup> WIRE OR LESS.



DATE	REVISION RECORD	NO.	CHKD
05/10/18	CHANGED GENERAL TOLERANCE TABLE, ETC.	C05-ZD50	Y. W
04/06/25	CHANGED WIRE SIZE	C04-Z636	H. T
03/07/07	CHANGED WIRE SIZE	C03-X434	K. O
00/11/09	CORRECTION OF A CLERICAL ERROR	C00-M343	E. O
99/06/15	CHANGED WIRE SIZE & ADDED NOTE	C99-L932	H. O
96/01/09	CHANGED FORM	C96-L042	A. Y
95/09/06	NEW	C95-M058	Y. W

10MAX	50MAX	100MAX	250MAX	500V/R	ANGLE	ECCENT
±0.15	±0.2	±0.3	±0.5	±0.75	±30°	0.1
±0.2	±0.3	±0.55	±0.95	±1.4	±30°	0.1
±0.3	±0.5	±0.8	±1.4	±2	±30°	0.15

CUSTOMER	CUSTOMER PART NO.	CUSTOMER DWG. NO.	MATL. SPEC.	TREAT. & FIN.	ISSUE MARK
YAZAKI	7114-4100-02		COPPER ALLOY (t=0.3)	TIN PLATING	
OFFICE					
VENDOR					
VENDOR NO.					
DWG. TYPE	DWG. SOURCE	DWG. DATE	UNIT	SCL	ANGLE
R	NEW	95/09/06	mm	5:1	3
APPROVED	CHECKED	CHECKED	DESIGN	DRAWN	
Y. W	Y. W	K. OHTAKA		O. DAR	
185/10.25		95/10.24	95/05/29	05/10/18	

1 2 3

1.5 SYSTEM CONNECTOR  
MALE TERMINAL  
YAZAKI CORPORATION